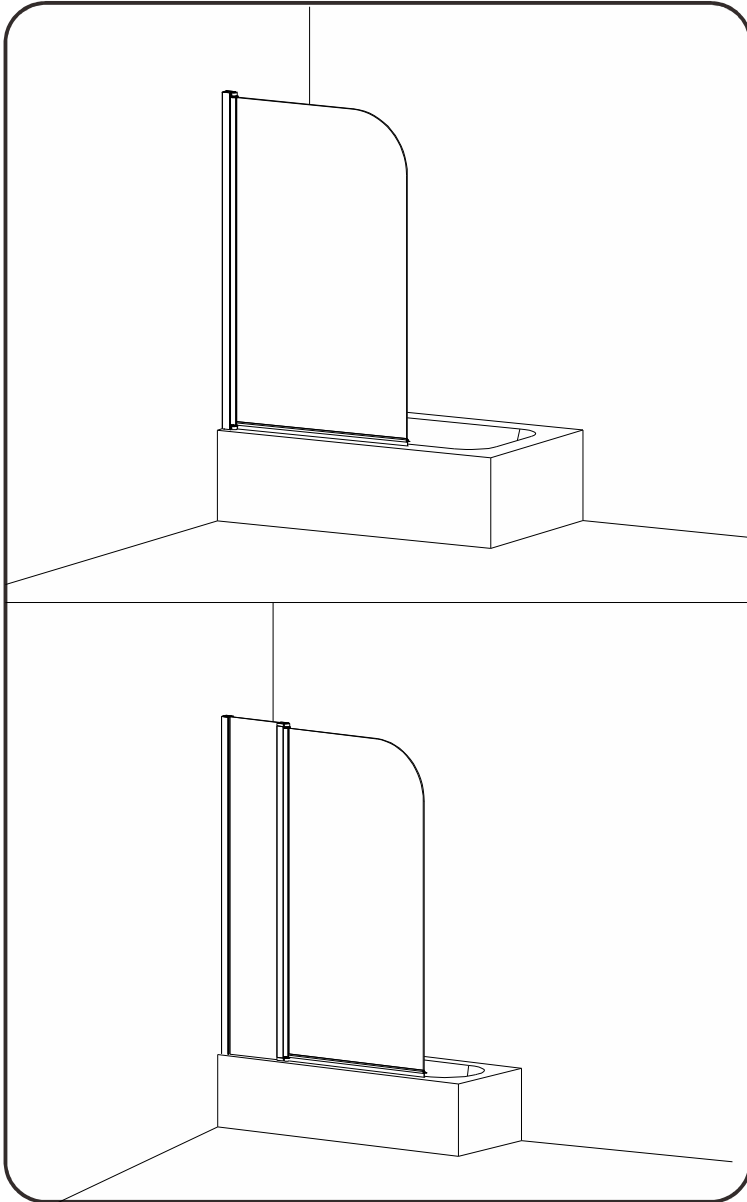


Single Round Bath Screens Double Round Bath Screens

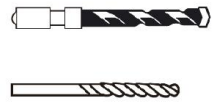
INSTALLATION INSTRUCTIONS



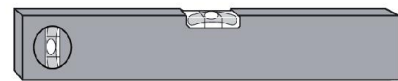
Tools Required



Drill



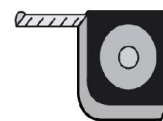
6mm Masonry Drill
3.2mm HSS Drill



Spirit level



Sealant Gun



Tape Measure



Pencil



**PH2 TYPE
Screwdriver**

Please not hand tools **NOT** supplied.

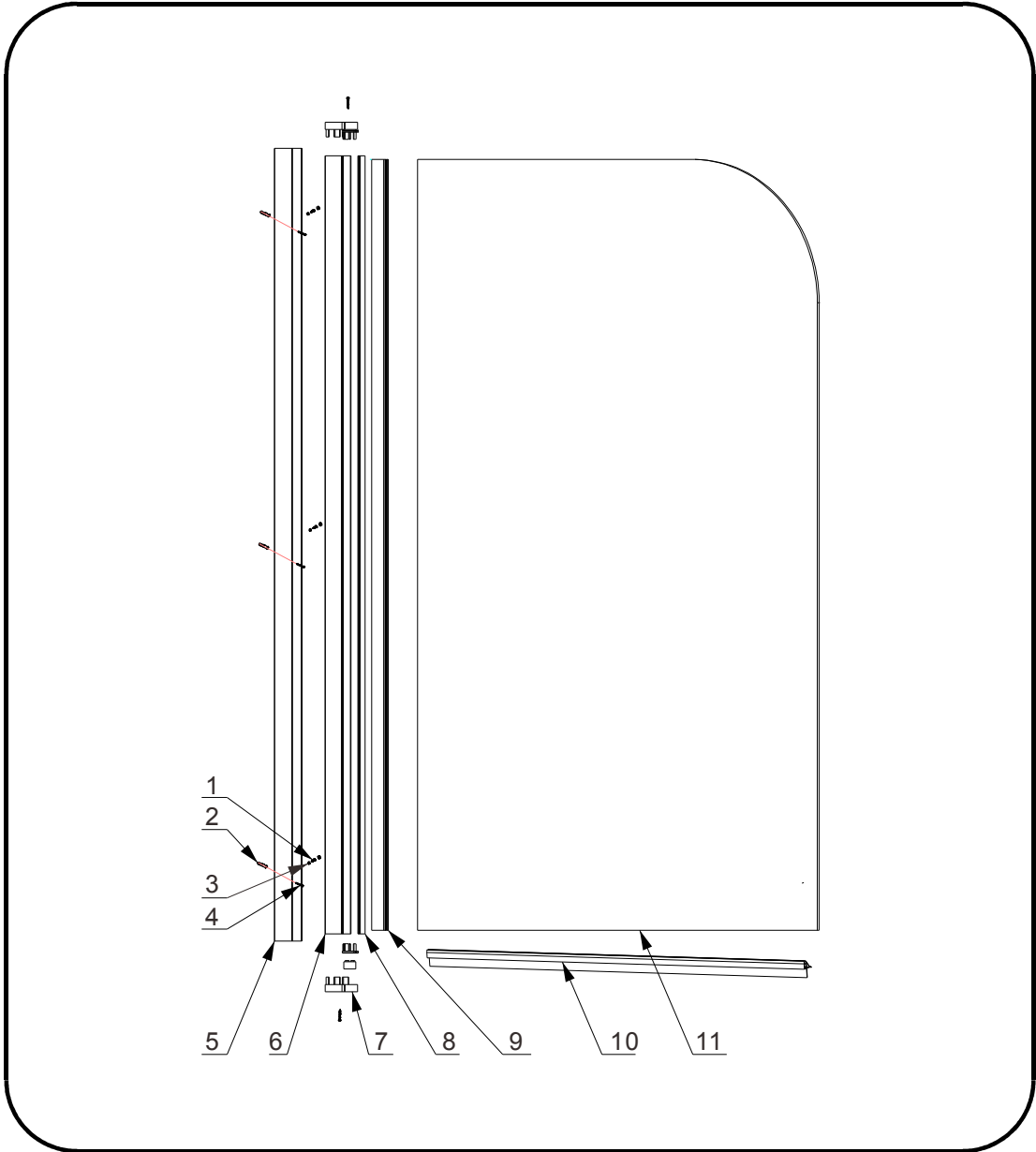
IMPORTANT

These instructions assume that installation is done against solid/tiled walls.

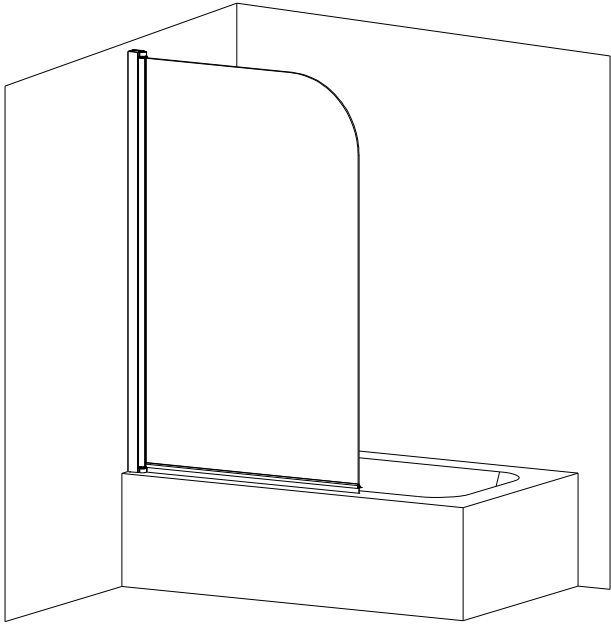
The wall plugs supplied with the installation kit are for use on solid walls. Hollow or stud-partition walls will require alternative fixings. Please consult with a reputable trades person or hardware supplier for the correct type of fixing.

It may also be necessary to consult your tiling supplier about the correct method drilling your tiles.

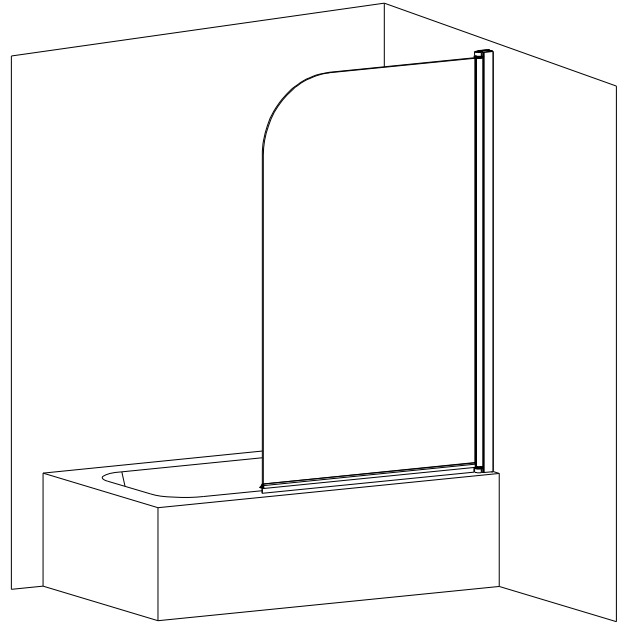
Components And Box Contents



| NO. | Code | Description | Qty | NO. | Code | Description | Qty |
|-----|---------|------------------|-----|-----|---------|--------------------|-----|
| 1 | BNSR-01 | Screw M4*10 | 3 | 7 | BNSR-07 | Hinge | 2 |
| 2 | BNSR-02 | Wall Plug | 3 | 8 | BNSR-08 | Vertical Seal | 1 |
| 3 | BNSR-03 | Screw cover Caps | 5 | 9 | BNSR-09 | Fixed Profile B | 1 |
| 4 | BNSR-04 | Screw M4*30 | 3 | 10 | BNSR-10 | Bottom Seal | 1 |
| 5 | BNSR-05 | Wall Profile | 1 | 11 | BNSR-11 | Moving Glass Panel | 1 |
| 6 | BNSR-06 | Fixed Profile A | 1 | | | | |

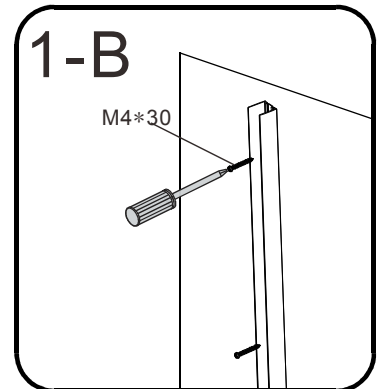
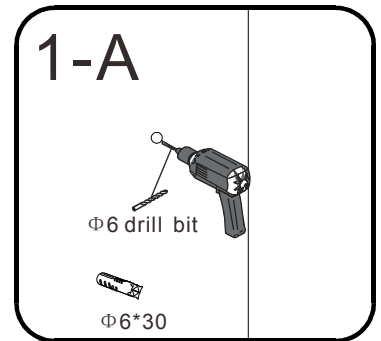
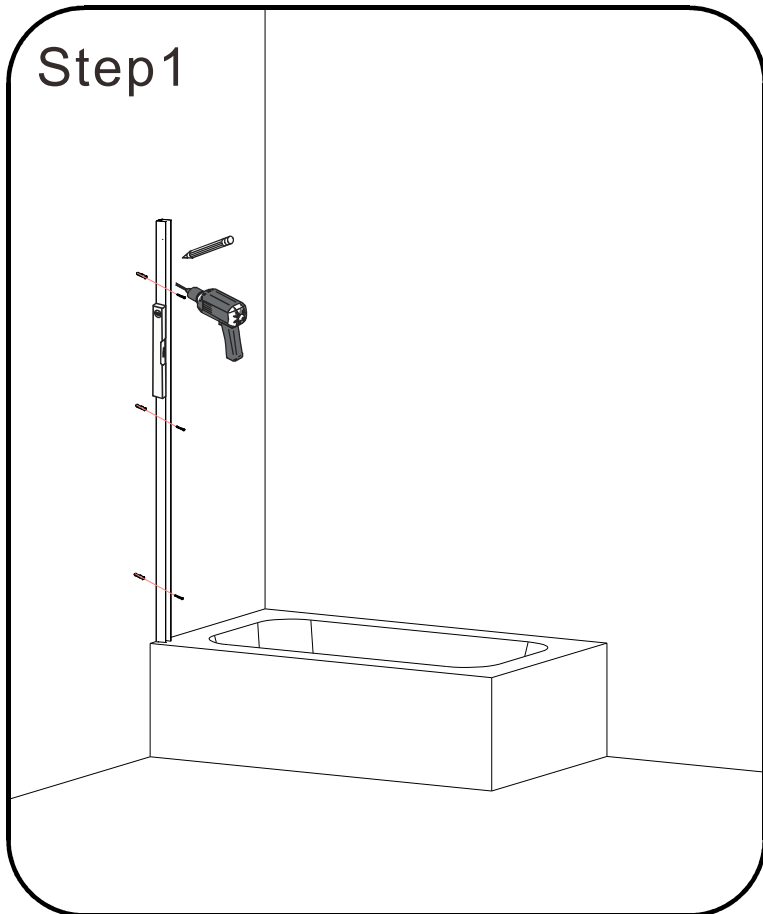


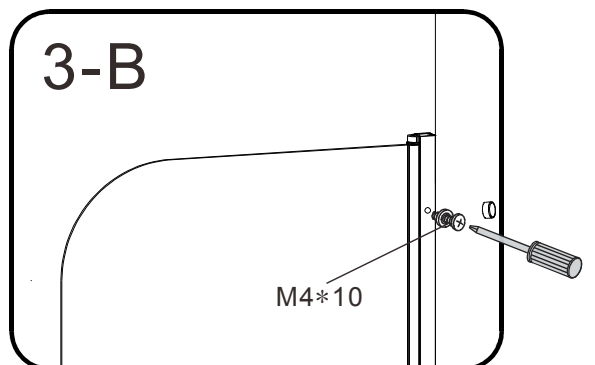
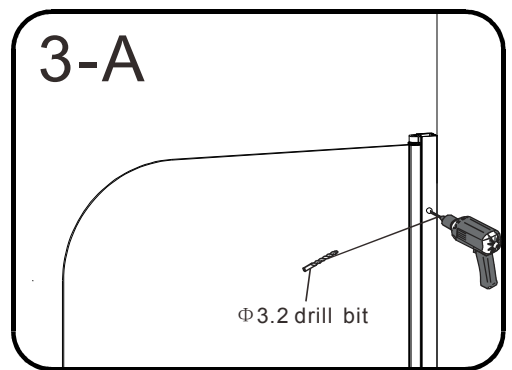
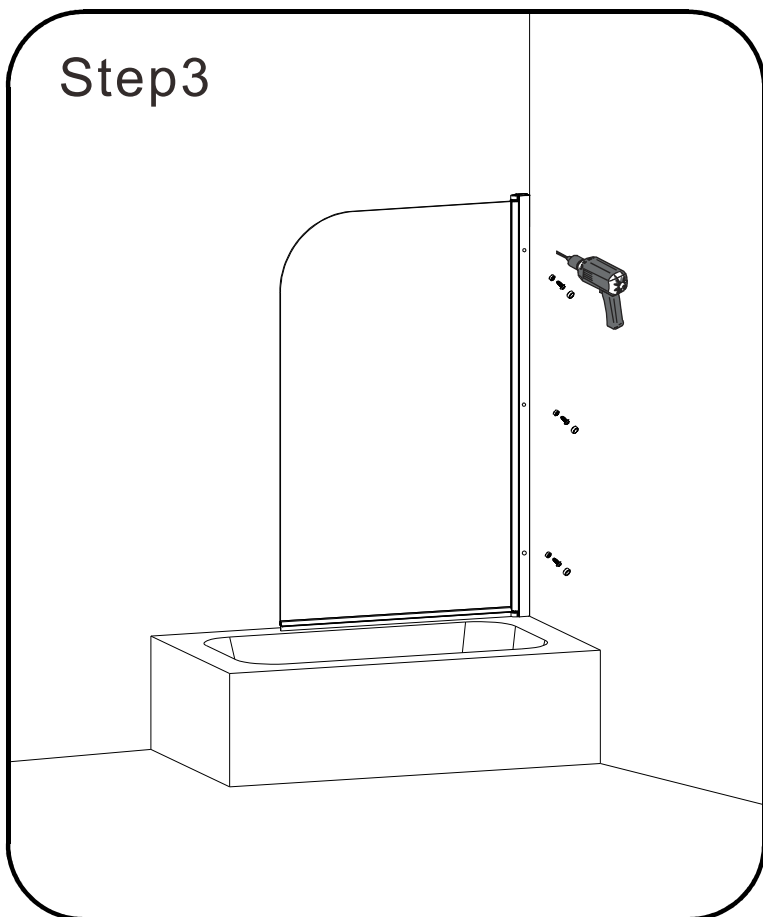
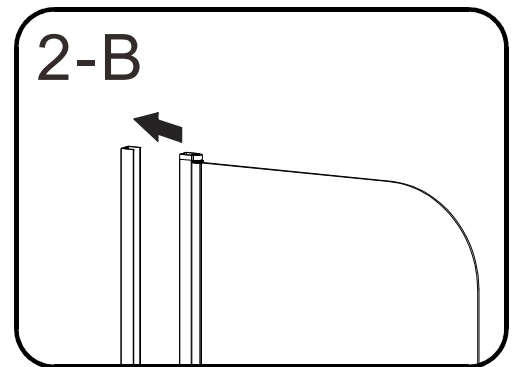
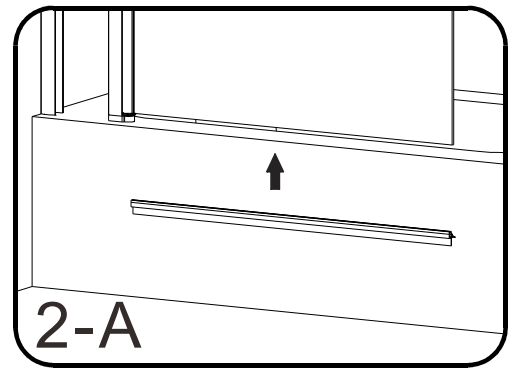
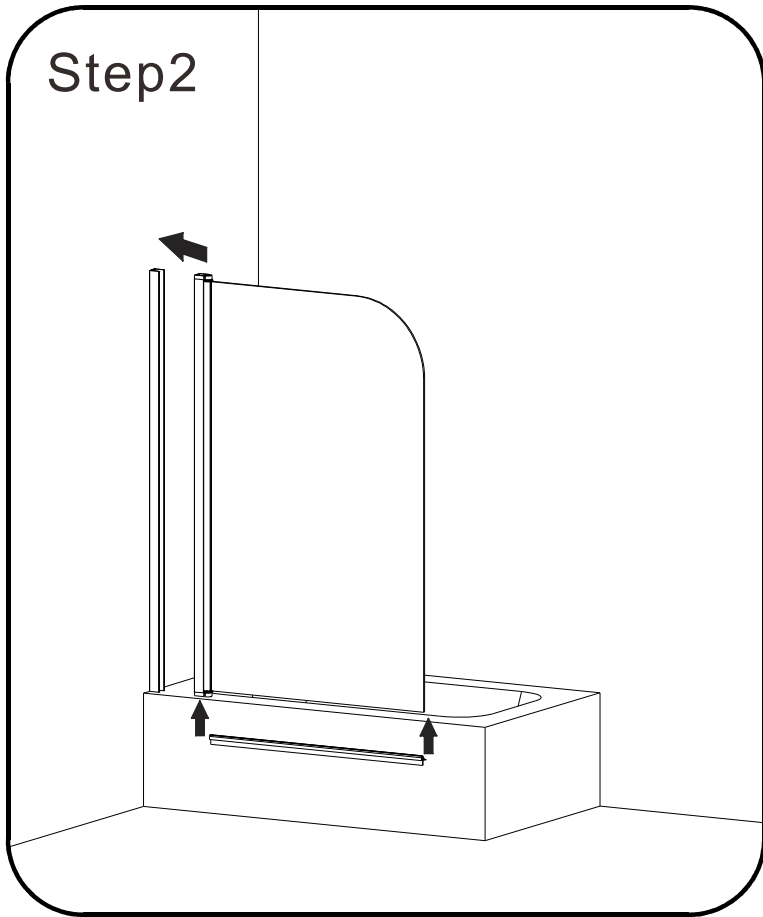
Left



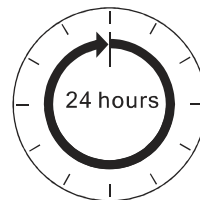
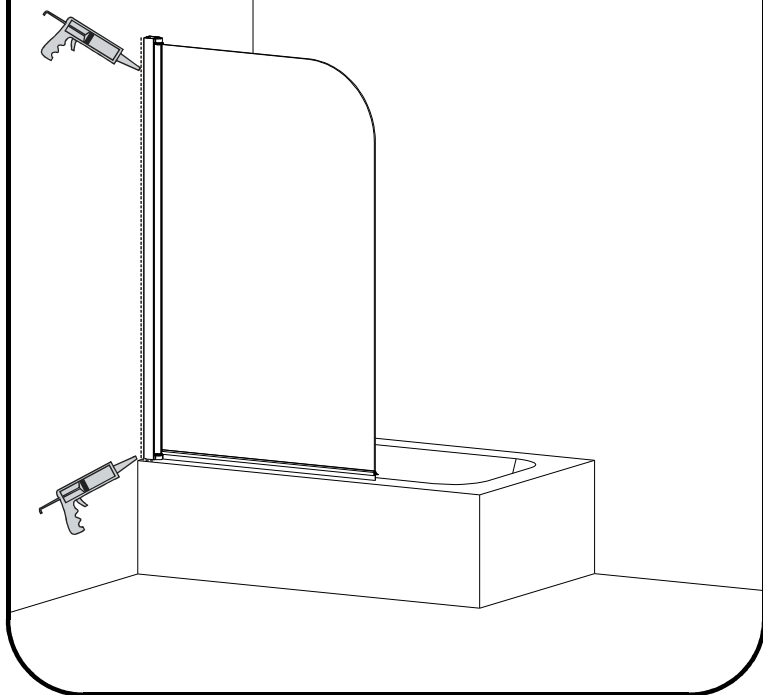
Right

Installation Steps





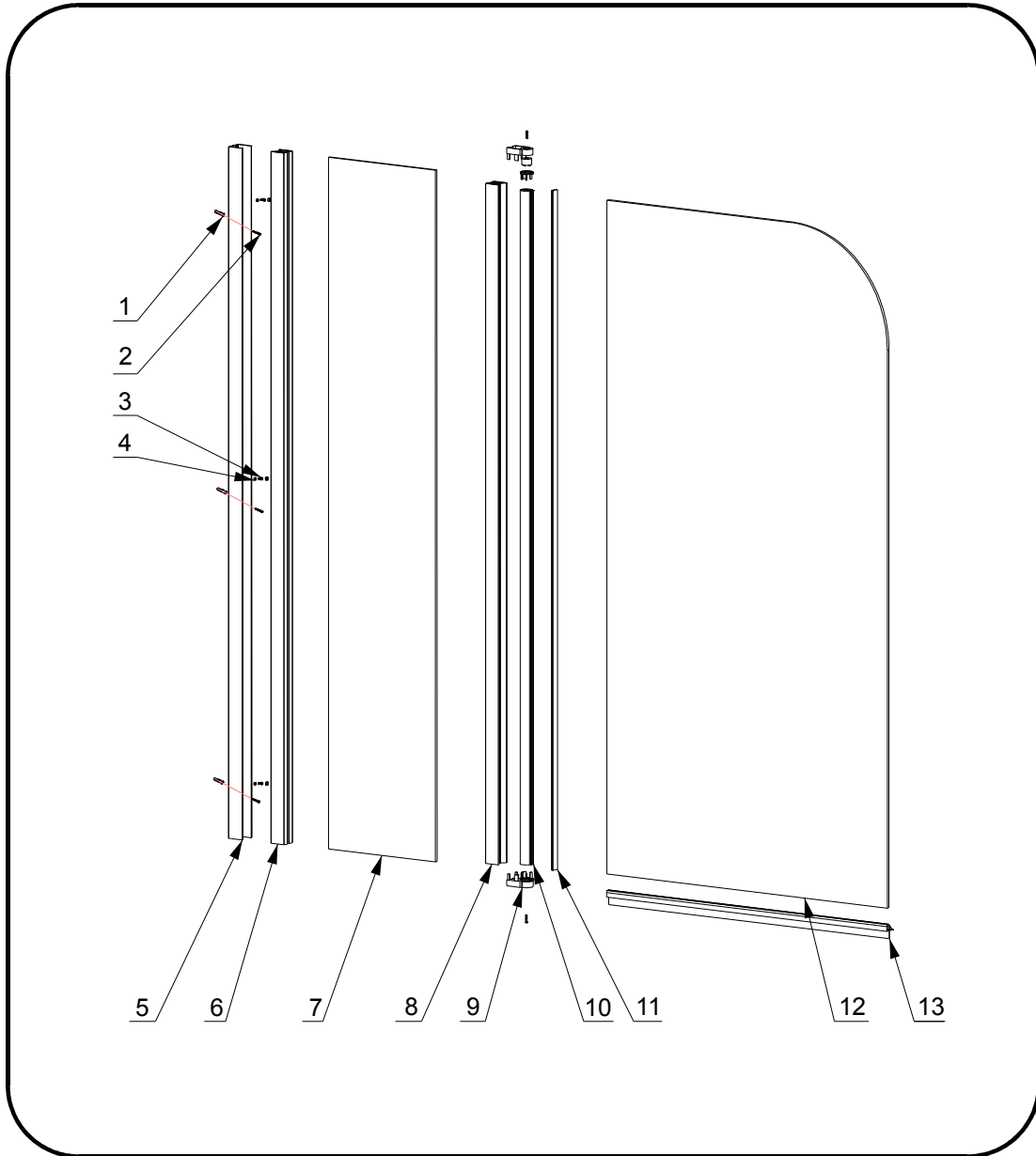
Step4



Allow 24 hours for silicone to dry before use.

Silicone on the outside edge only

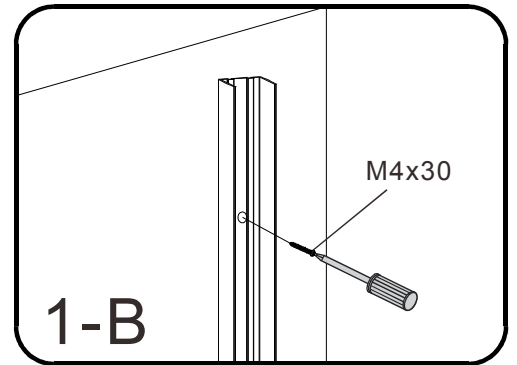
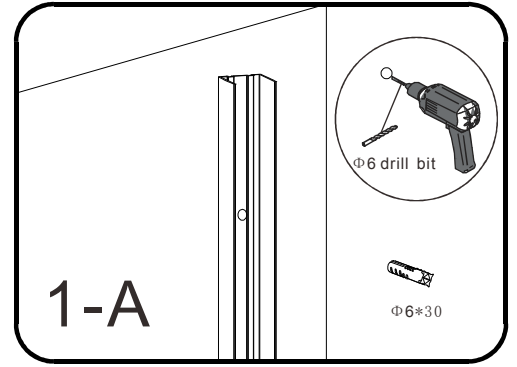
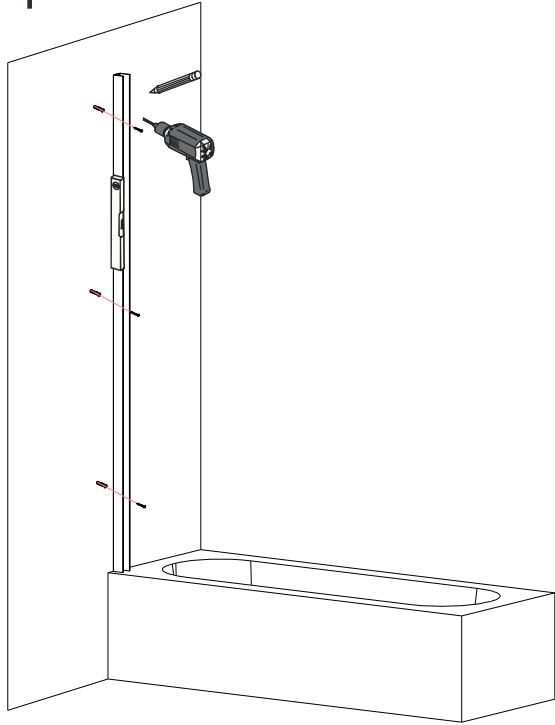
Components And Box Contents



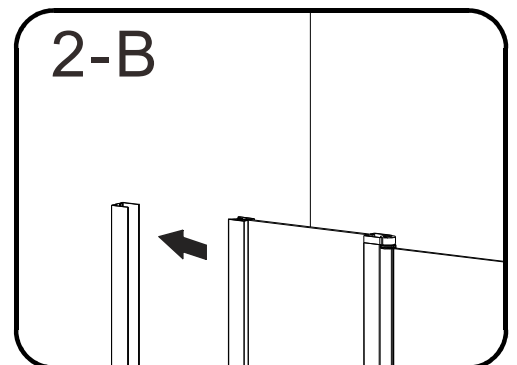
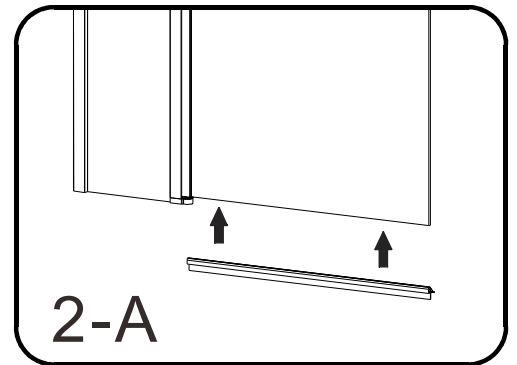
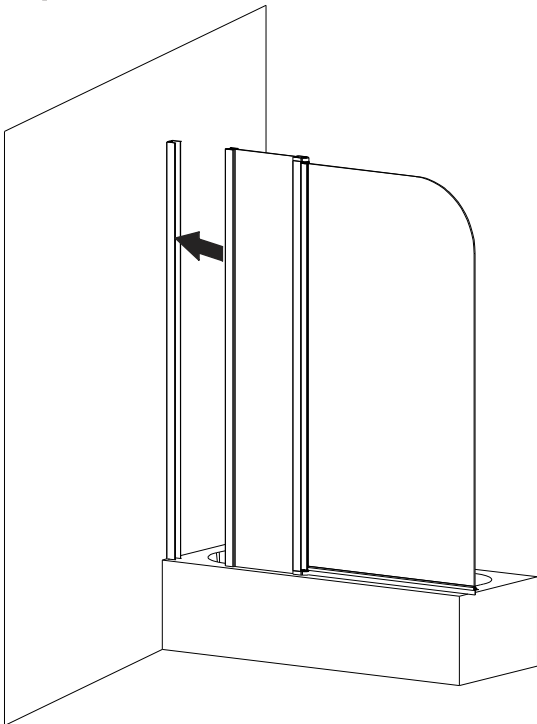
| NO. | Code | Description | Qty | NO. | Code | Description | Qty |
|-----|---------|------------------------------|-----|-----|---------|--------------------|-----|
| 1 | BNDR-01 | Wall Plug $\Phi 6 \times 30$ | 3 | 8 | BNDR-08 | Fixed Profile B | 1 |
| 2 | BNDR-02 | Screw M4*30 | 5 | 9 | BNDR-09 | Hinge | 2 |
| 3 | BNDR-03 | Screw M4*16 | 3 | 10 | BNDR-10 | Fixed Profile C | 1 |
| 4 | BNDR-04 | Screw cover Caps | 3 | 11 | BNDR-11 | Vertical Seal | 1 |
| 5 | BNDR-05 | Wall Profile | 1 | 12 | BNDR-12 | Moving Glass Panel | 1 |
| 6 | BNDR-06 | Fixed Profile A | 1 | 13 | BNDR-13 | Bottom Seal | 1 |
| 7 | BNDR-07 | Fixed Glass Panel | 1 | 14 | | | |

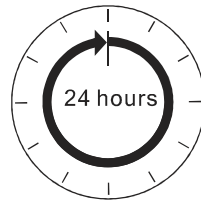
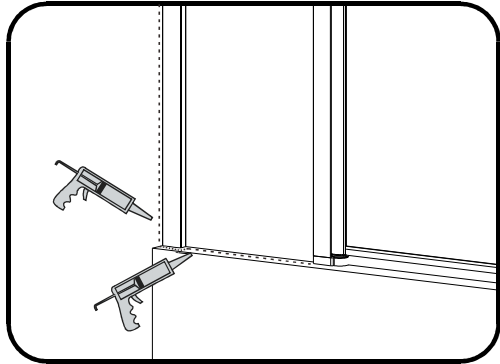
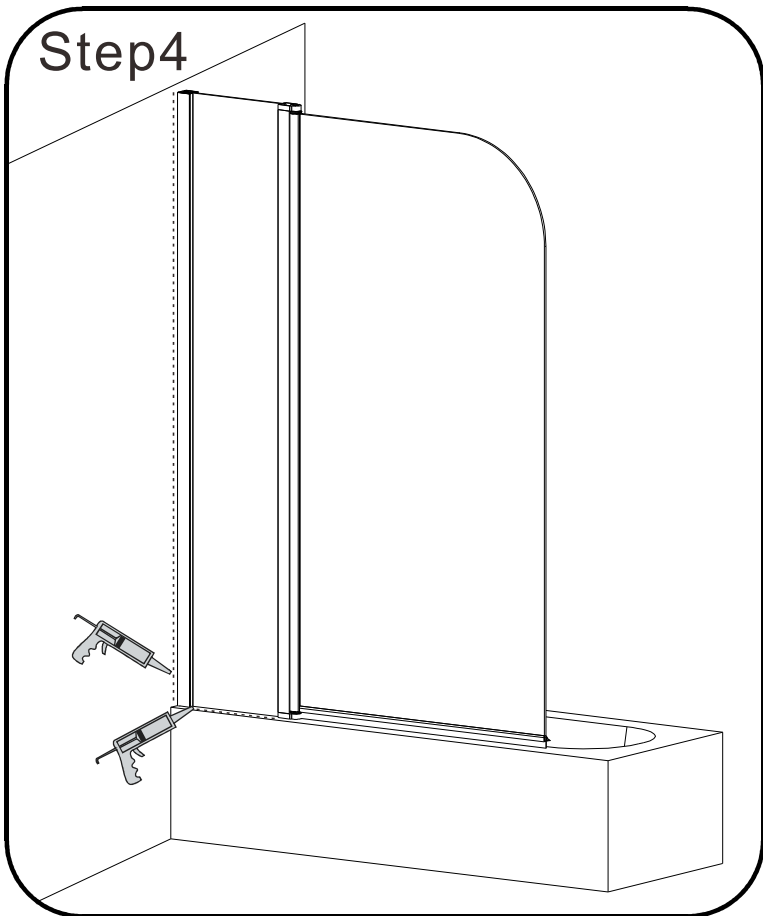
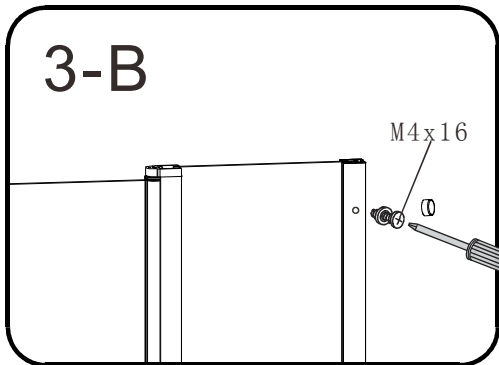
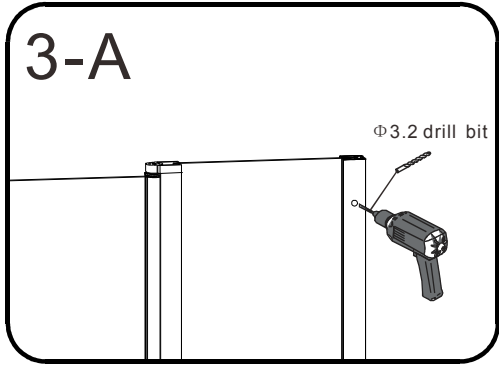
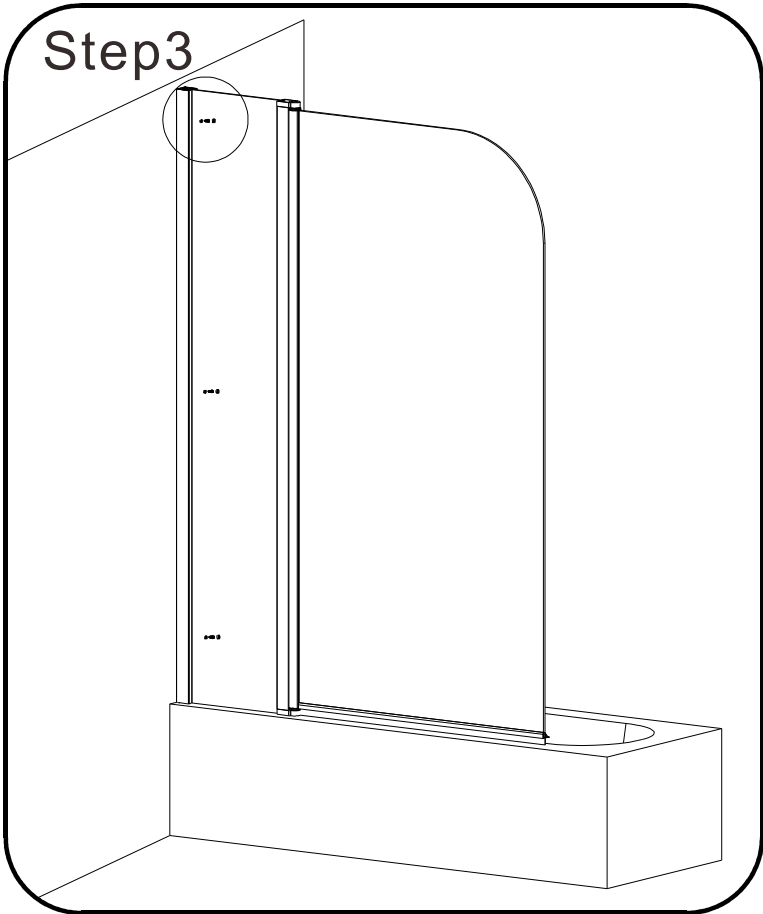
Installation Steps

Step 1



Step 2





Allow 24 hours for silicone to dry before use.
Silicone on the outside edge only