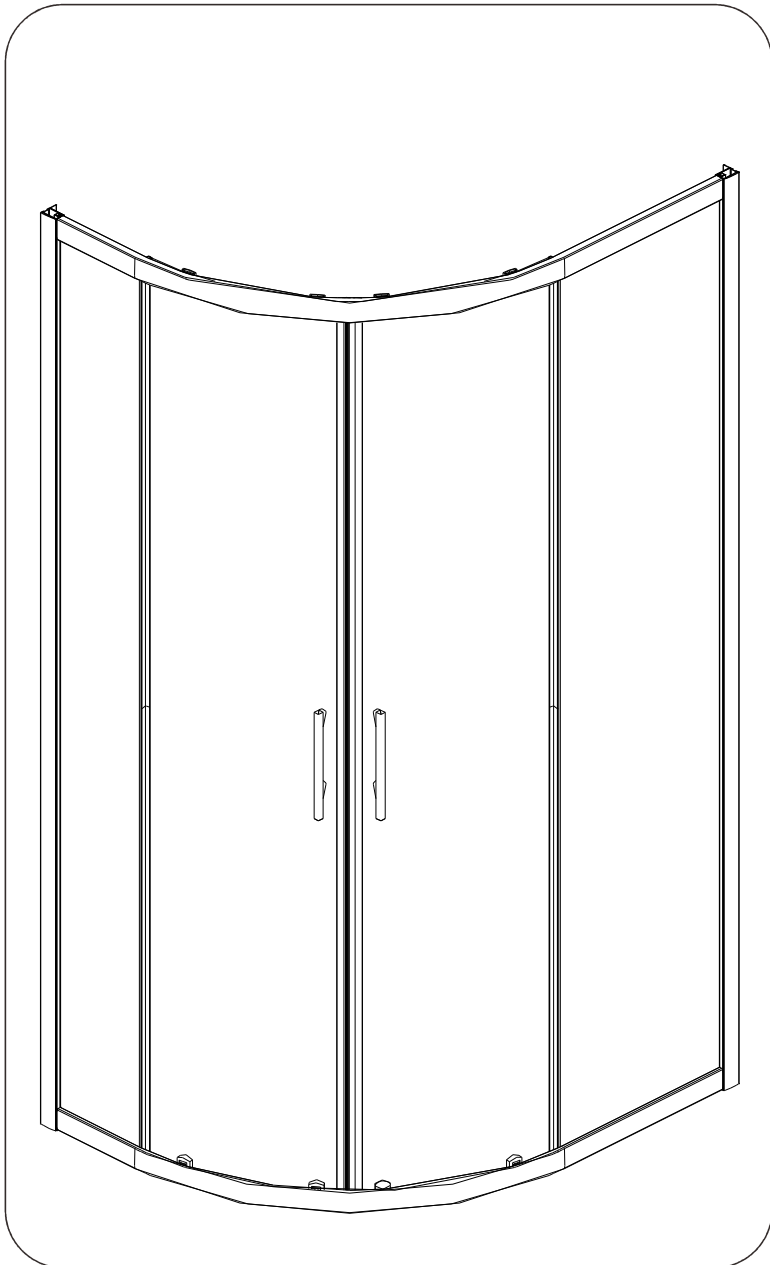


Quadrant Offset Quad

INSTALLATION INSTRUCTIONS



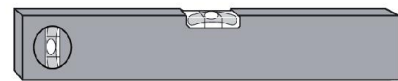
Tools Required



Drill



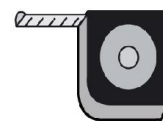
6mm Masonry Drill
3.2mm HSS Drill



Spirit level



Sealant Gun



Tape Measure



Pencil



**PH2 TYPE
Screwdriver**

Please not hand tools **NOT** supplied.

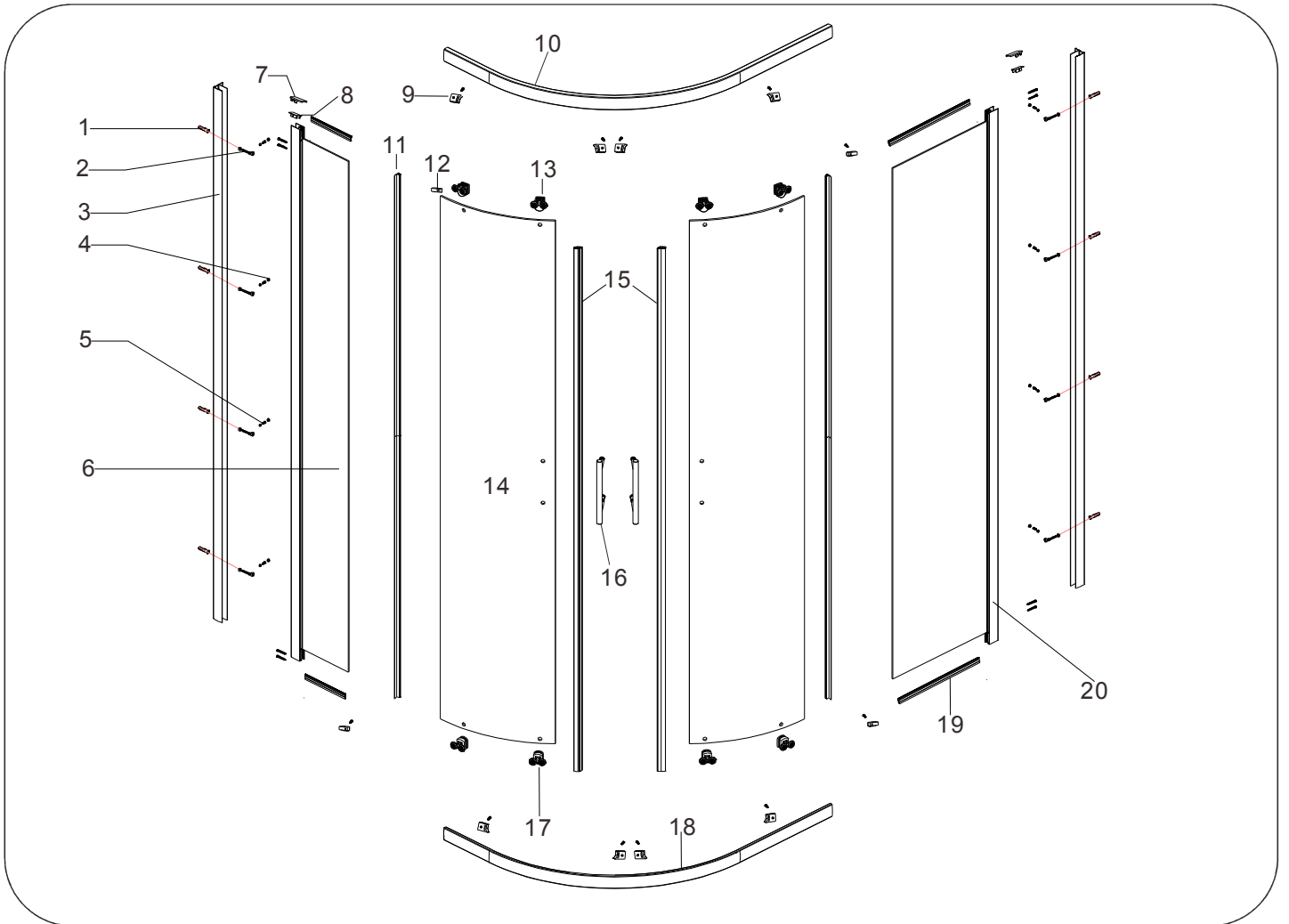
IMPORTANT

These instructions assume that installation is done against solid/tiled walls.

The wall plugs supplied with the installation kit are for use on solid walls. Hollow or stud-partition walls will require alternative fixings. Please consult with a reputable trades person or hardware supplier for the correct type of fixing.

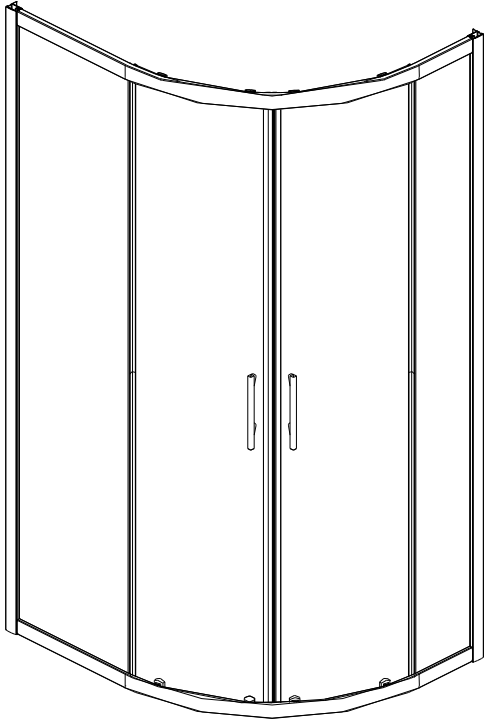
It may also be necessary to consult your tiling supplier about the correct method drilling your tiles.

Components And Box Contents

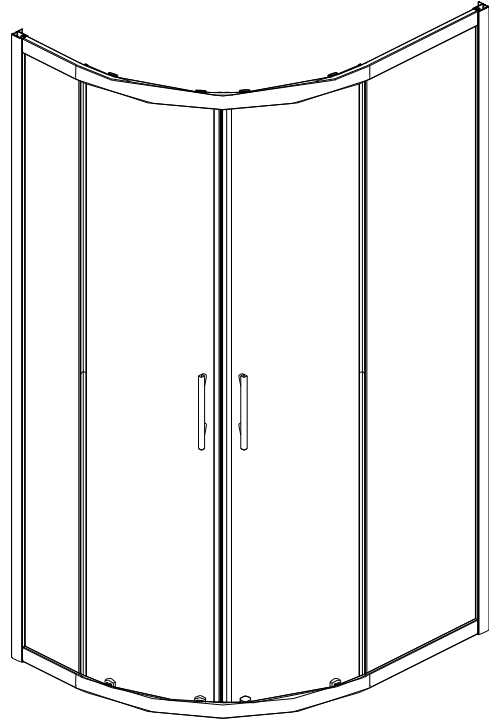


NO.	Code	Description	Qty	NO.	Code	Description	Qty
1	BNQD-01	Wall Plug	8	11	BNQD-11	Vertical Seal	4
2	BNQD-02	Screw M4*30	16	12	BNQD-12	Chrome Piece	4
3	BNQD-03	Wall Profile	2	13	BNQD-13	Top Rollers	4
4	BNQD-04	Screw cover Caps	2	14	BNQD-14	Moving Glass Panel	2
5	BNQD-05	Screw M4*10	20	15	BNQD-15	Magnetic Seal	2
6	BNQD-06	Fixed Glass Panel	2	16	BNQD-16	Handles	2
7	BNQD-07	Cover Caps A	2	17	BNQD-17	Bottom Rollers	4
8	BNQD-08	Cover Caps B	2	18	BNQD-18	Bottom Rail Profile	1
9	BNQD-09	Stopper	4	19	BNQD-19	Seal	4
10	BNQD-10	Top Rail Profile	1	20	BNQD-20	Fixed Profile	2

Left

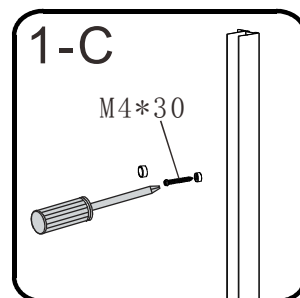
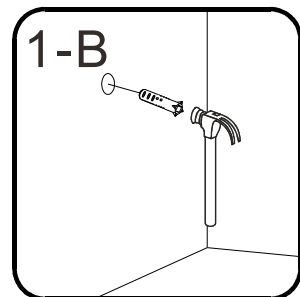
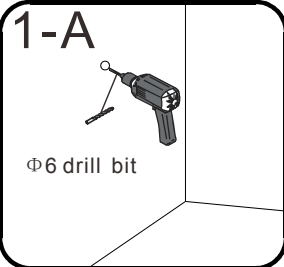
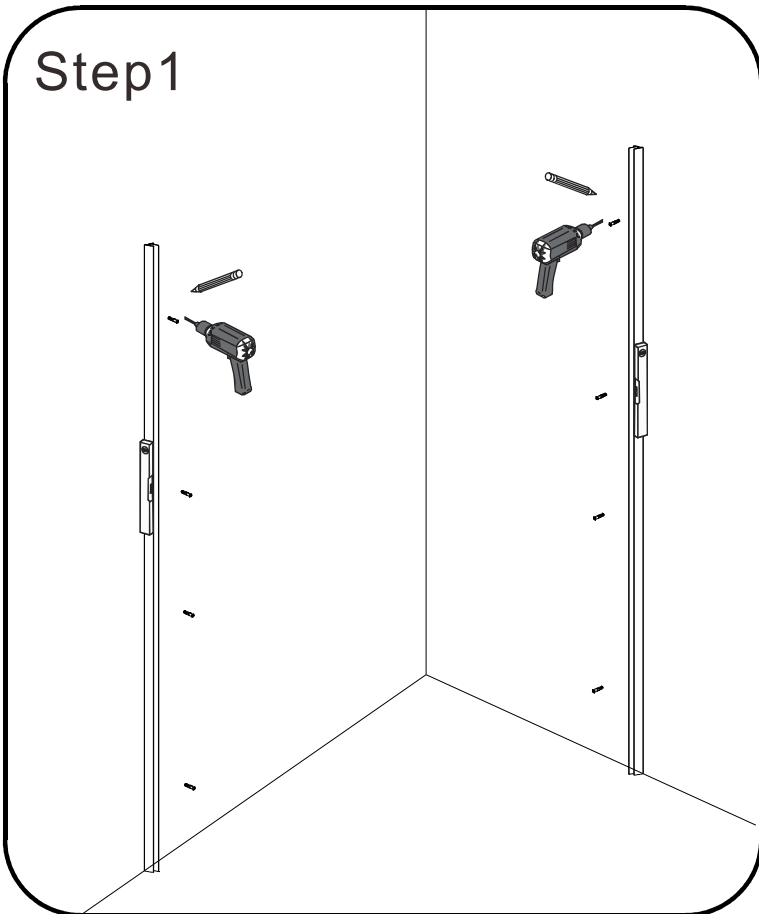


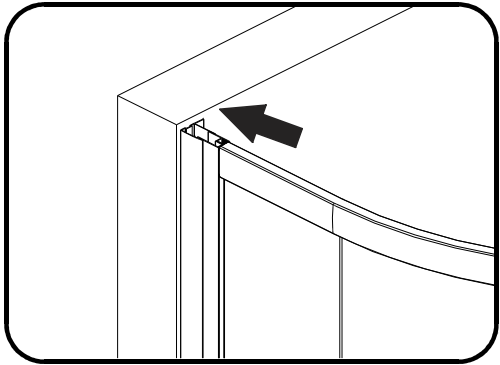
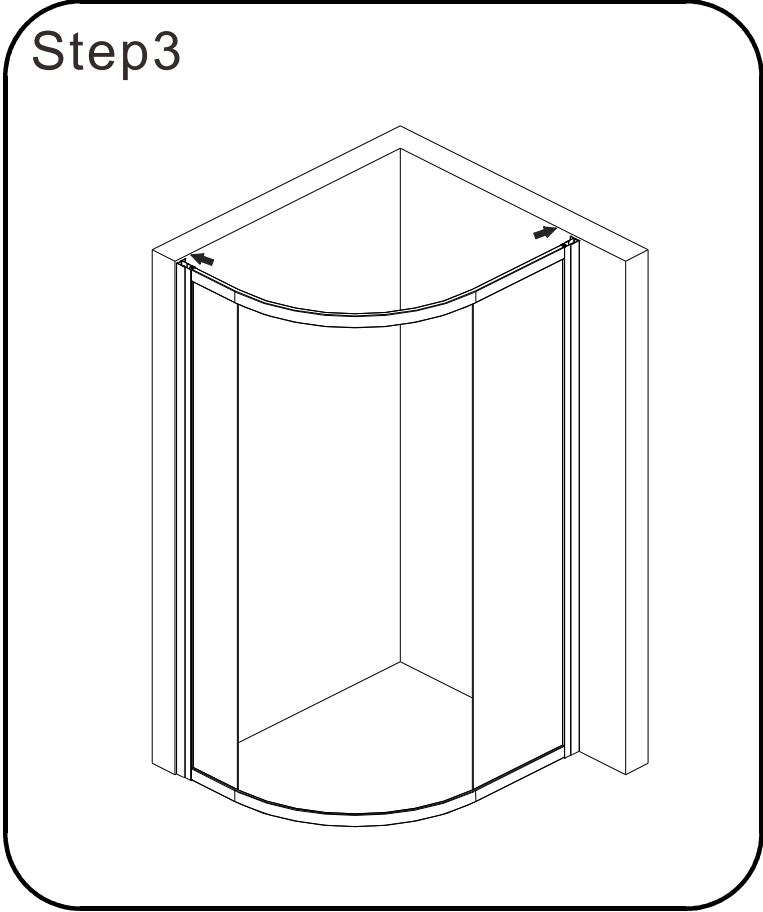
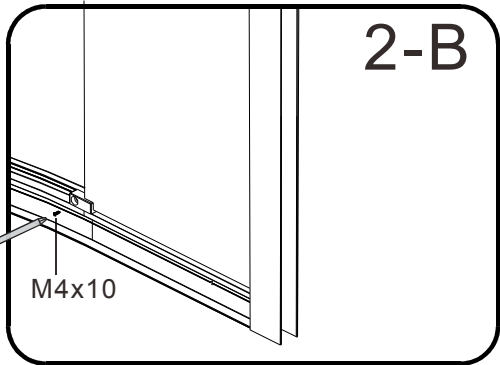
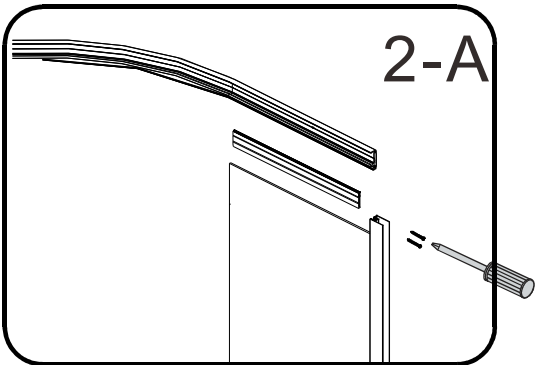
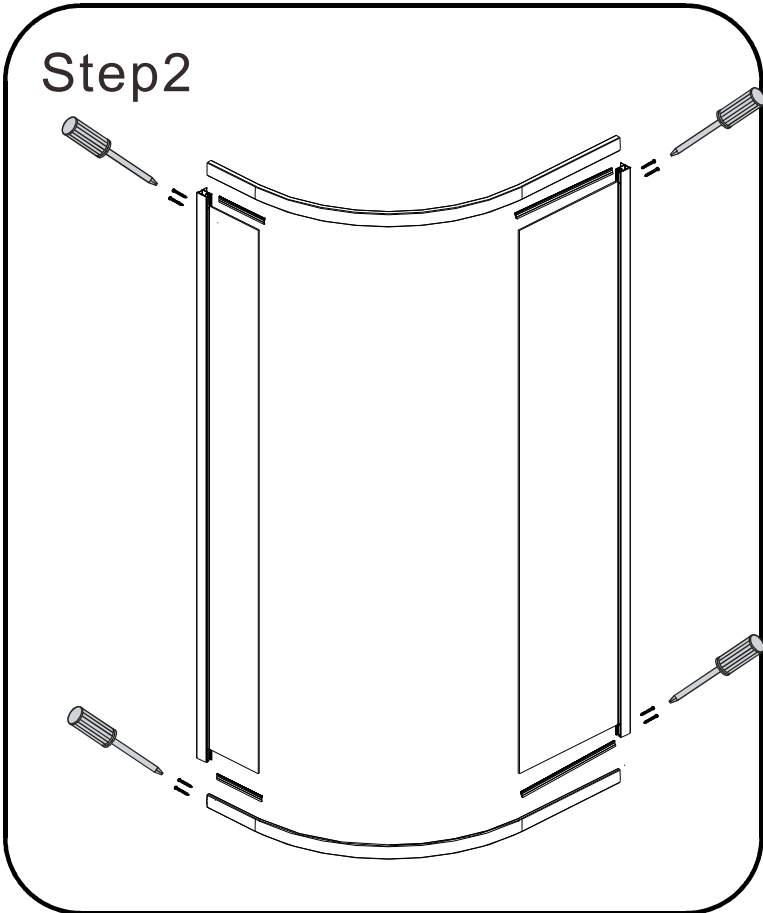
Right



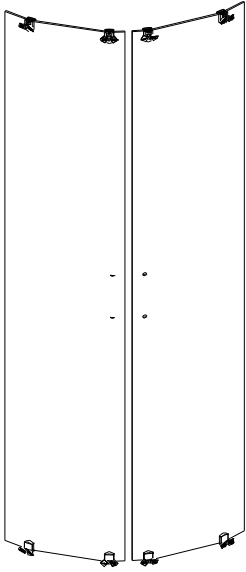
Installation Steps

Step 1

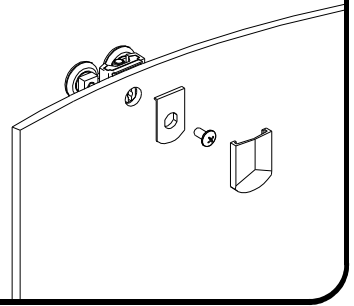




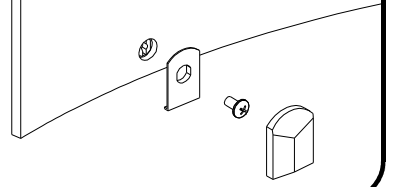
Step4



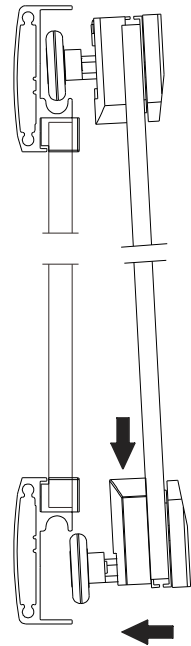
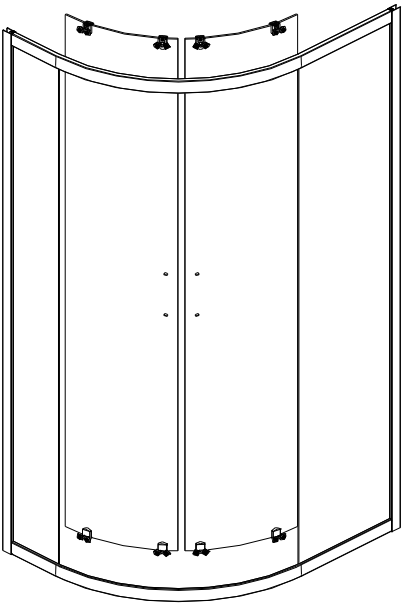
4-A



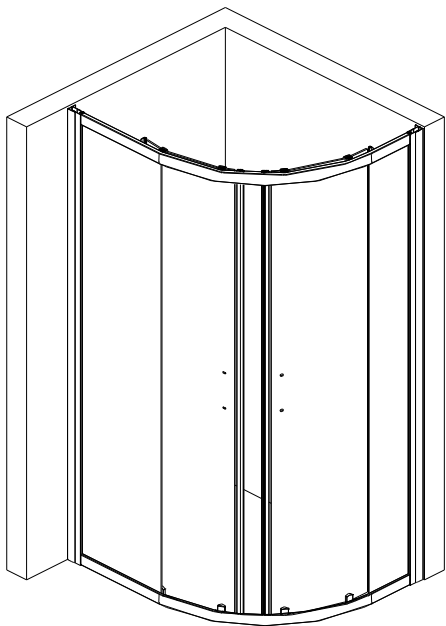
4-B



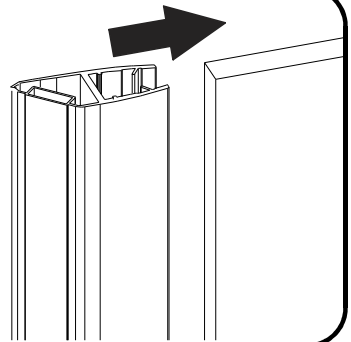
Step5



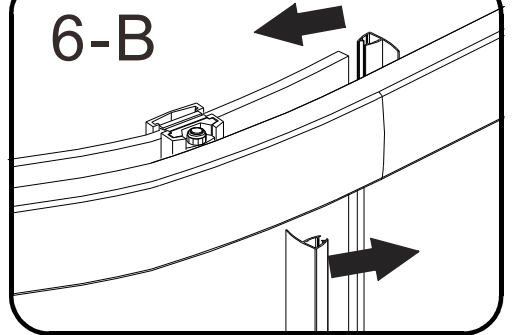
Step 6



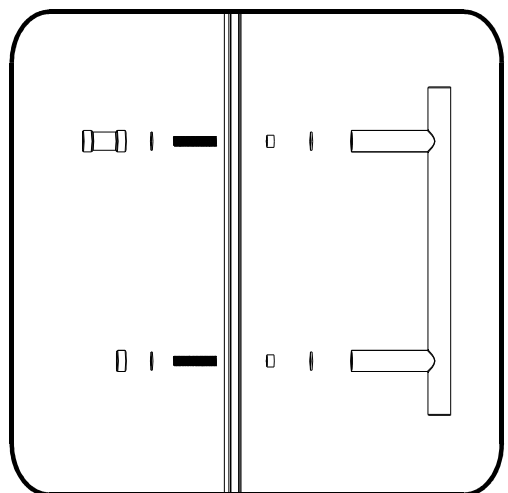
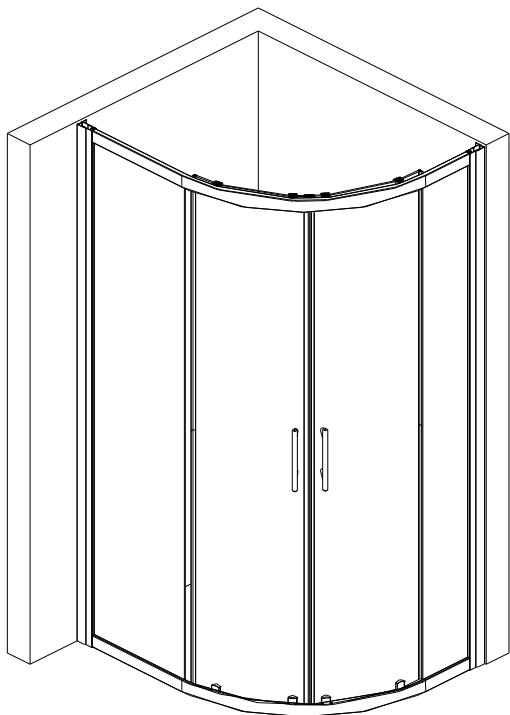
6-A



6-B



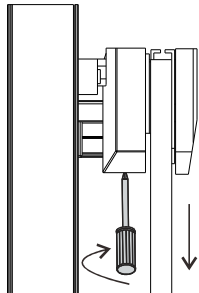
Step 7



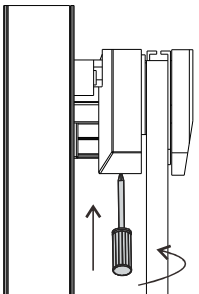
Step 8



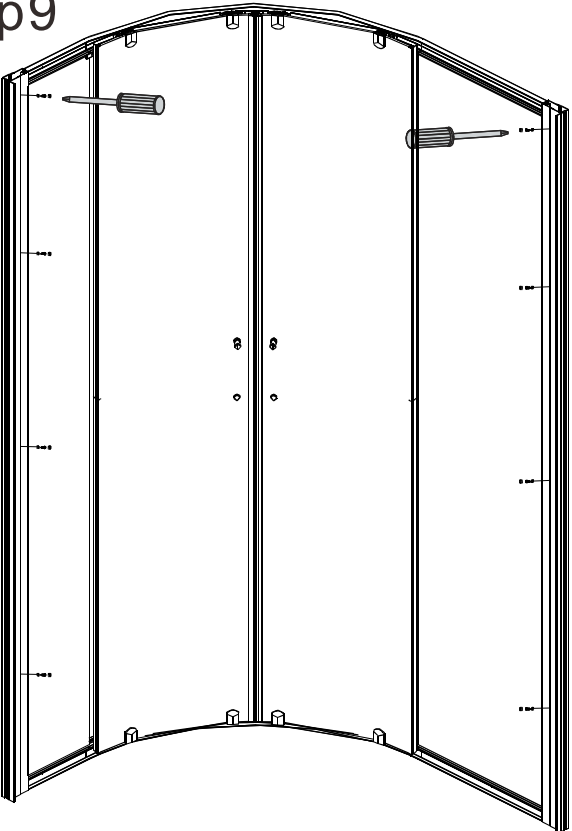
8-A



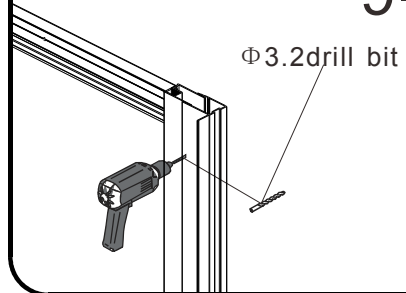
8-B



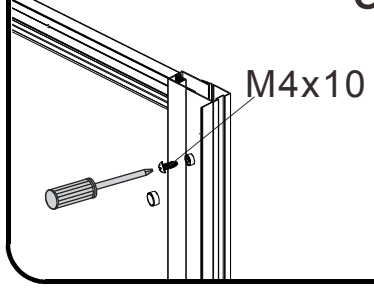
Step 9



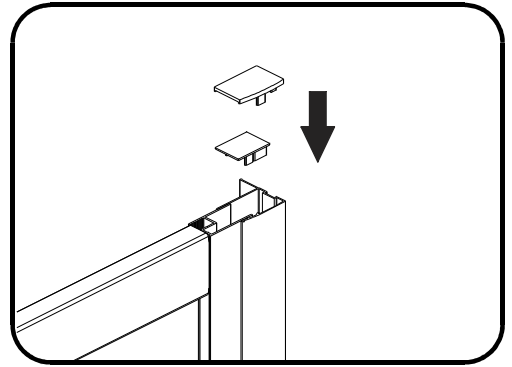
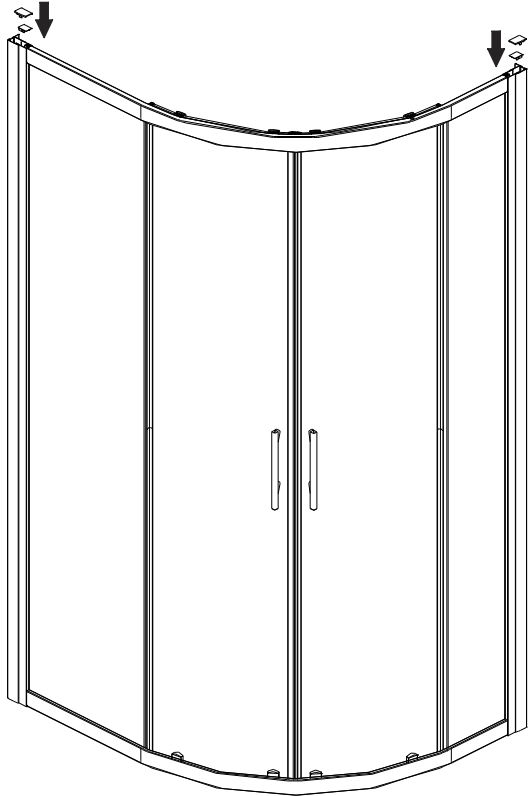
9-A



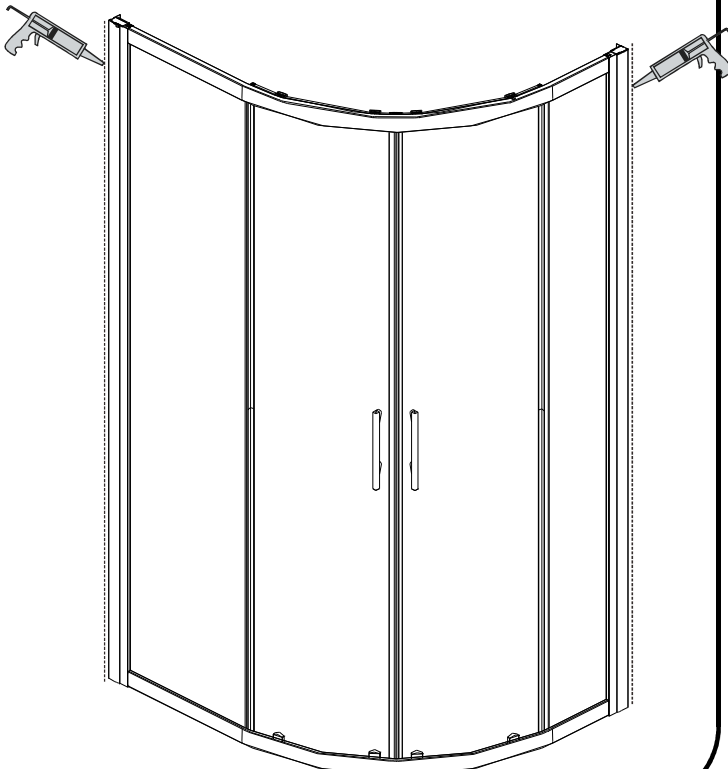
9-B



Step 10



Step 11



Allow 24 hours for silicone to dry before use.

Silicone on the outside edge only